

DH-IPC-A35

3MP A Series Wi-Fi Network PT Camera



- 1/3" 3Megapixel progressive CMOS
- H.264 & MJPEG dual-stream encoding
- 20fps@3M(2304×1296)&25/30fps@1.3M (1280×960)
- 0°~355° Pan range, 90° Tilt range, 25 presets
- IR Distance 10m
- Cloud Support
- Wi-Fi Support
- Micro SD card slot, up to 128GB
- DC5V2A



System Overview

The IR Megapixel I Fixed A-Series PT camera delivers 3MP resolution. The camera's elegant blend of aesthetics combined with a range of easy mounting solutions provides an excellent choice for a variety of small Wi-Fi applications at an affordable price.

effects of lightning.

Functions

True Day/Night

A day/night mechanical IR cut filter makes this camera ideal for applications with fluctuating lighting conditions, delivering color images during the day and automatically switching to monochrome as the scene darkens

Smart IR

With IR illumination, detailed images can be captured in low light or total darkness. The camera's Smart IR technology adjusts to the intensity of camera's infrared LEDs to compensate for the distance of an object. Smart IR technology prevents IR LEDs from whitening images as they come closer to the camera. The camera's integrated infrared illumination provides high performance in extreme low-light environments up to 10m (33ft).

Image flip

Capturing unnecessary data such as surrounding hallway walls can increase storage requirements without any added value. The image flip feature allows the camera's image to be rotated in 90° increments for better video optimization.

Protection

Supporting ±10% input voltage tolerance, this camera suits even the most unstable conditions for outdoor applications. Its 6KV lightning rating provides protection against the camera and its structure from the

Technical Specification

Camera

Image Sensor	1/3" 3Megapixel progressive CMOS
Effective Pixels	2304(H) x1536(V)
RAM/ROM	256MB/16MB
Scanning System	Progressive
Minimum Illumination	0.78Lux/F2.0(Color), 0Lux/F2.0(IR on)
S/N Ratio	More than 50dB
IR Distance	Distance up to 10m(33ft)
IR On/Off Control	Auto/ Manual
IR LEDs	2

Lens

Lens Type	Fixed
Mount Type	Board-in
Focal Length	3.6mm
Max. Aperture	F2.0
Angle of View	H:77°;V:42°
Focus Control	Fixed
Close Focus Distance	N/A

PTZ

Pan/Tilt Range	Pan:0° ~355° ;Tilt:0° ~90° ;Rotation:0° ~355°
----------------	---

Video

Compression	H.264/H.264B/H.264H/MJPEG
Streaming Capability	2 Streams
Resolution	3M(2048x1536)/3M(2304x1296)/1080P(1920x1080)/1.3M(1280x960)/720P(1280x720)/VGA(640 x480)/QVGA(320x240)
Frame Rate	3MP(1~20fps)/2M(1~25/30fps) VGA/QVGA(1~25/30fps)
Bit Rate Control	CBR/VBR
Bit Rate	H264:32K ~ 10240Kbps
Day/Night	Auto(ICR) / Color / B/W
BLC Mode	BLC / HLC / DWDR

White Balance	Auto/Natural/Street Lamp/Outdoor/Manual
Gain Control	Auto/Manual
Noise Reduction	3D DNR
Motion Detection	Off / On (4 Zone, Rectangle)
Electronic Image	Support
Smart IR	Support
Digital Zoom	16x
Flip	0°/90°/180°/270°
Mirror	Off / On
Privacy Masking	Off / On (4 Area, Rectangle)

Audio

Compression	G.711A;G.711Mu;AAC
-------------	--------------------

Network

Ethernet	RJ-45 (10/100Base-T)
Wi-Fi	Wi-Fi(IEEE802.11b/g/n),50m(open field)
Protocol	HTTP;HTTPS;TCP;ARP;RTSP;RTP;UDP;SMTP;FTP;DHCP;DNS;DDNS;IPv4/v6;QoS;UPnP;NTP;Bonjour;Multicast;ICMP;IGMP;
Interoperability	PSIA, CGI
Streaming Method	Unicast / Multicast
Max. User Access	10 Users/20 Users
Edge Storage	NAS(Network Attached Storage),Local PC for instant recording, Micro SD Card(up to 128GB)
Web Viewer	IE, Chrome, Firefox, Safari
Management Software	Smart PSS, DSS,Lechange
Smart Phone	iOS, Android

Certifications

Certifications	CE (EN 60950:2000) UL:UL60950-1 FCC: FCC Part 15 Subpart B
----------------	--

Interface

Video Interface	N/A
Audio Interface	Built-in Mic & Speaker
RS485	N/A
Alarm	N/A

Electrical

Power Supply	DC5V 2A
Power Consumption	<8.5W

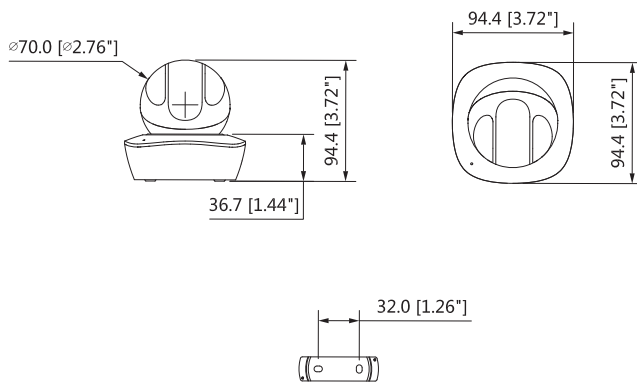
Environmental

Operating Conditions	-10°C ~ +45°C (14°F ~ +113°F) / Less than 95% RH
Storage Conditions	-10°C ~ +45°C (14°F ~ +113°F) / Less than 95% RH
Ingress Protection	N/A
Vandal Resistance	N/A

Construction

Casing	Plastic
Dimensions	94.4mm x 94.4mm x 94.4mm(3.72" x3.72"x3.72")
Net Weight	0.215Kg(0.47lb)
Gross Weight	0.575Kg(1.27lb)

Dimensions (mm/inch)



Ordering Information

Type	Part Number	Description
3MP Camera	DH-IPC-A35P	3MP A Series Wi-Fi Network PT Camera, PAL
	DH-IPC-A35N	3MP A Series Wi-Fi Network PT Camera, NTSC
	IPC-A35P	3MP A Series Wi-Fi Network PT Camera, PAL
	IPC-A35N	3MP A Series Wi-Fi Network PT Camera, NTSC